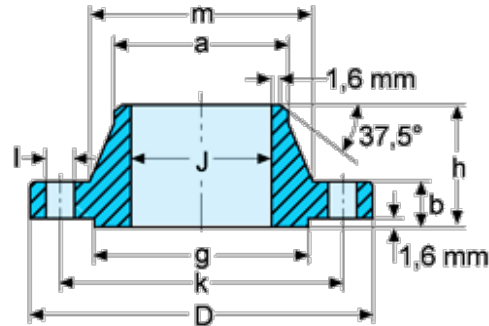


## Stainless Steel ASTM A182, ASME B16.5 150lb Welding Neck Flanges



Pipe	Flange		Hub		Raised face		Drilling template		Weight			
Nom.size	O.D.	D	J	b	h	a	m	g	l	k	No. of holes	kg/pce
in.	mm	mm	mm	mm	mm	mm	mm	mm	mm	mm		
0.5	21.3	88.9	15.7	11.2	47.8	21.3	30.2	35.1	15.7	60.5	4	0.48
0.75	26.7	98.6	20.8	12.7	52.3	26.7	38.1	42.9	15.7	69.9	4	0.71
1	33.4	108	26.7	14.2	55.6	33.5	49.3	50.8	15.7	79.2	4	1.01
1.25	42.2	117.3	35.1	15.7	57.2	42.2	58.7	63.5	15.7	88.9	4	1.33
1.5	48.3	127	40.9	17.5	62	48.3	65	73.2	15.7	98.6	4	1.72
2	60.3	152.4	52.6	19.1	63.5	60.5	77.7	91.9	19.1	120.7	4	2.58
2.5	73	177.8	62.7	22.4	69.9	73.2	90.4	104.6	19.1	139.7	4	4.11
3	88.9	190.5	78	23.9	69.9	88.9	108	127	19.1	152.4	4	4.92
4	114.3	228.6	102.4	23.9	76.2	114.3	134.9	157.2	19.1	190.5	8	6.84
5	141.3	254	128.3	23.9	88.9	141.2	163.5	185.7	22.4	215.9	8	9.2
6	168.3	279.4	154.2	25.4	88.9	168.4	192	215.9	22.4	241.3	8	10.6
8	219.1	342.9	202.7	28.4	101.6	219.2	246.1	269.7	22.4	298.5	8	17.6
10	273	406.4	254.5	30.2	101.6	273.1	304.8	323.9	25.4	362	12	24
12	323.8	482.6	304.8	31.8	114.3	323.9	365.3	381	25.4	431.8	12	36.5
14	355.6	533.4	336.5	34.9	127	355.6	400	412.7	28.6	476.2	12	51
16	406.4	596.9	387.3	36.5	127	406.4	457.2	469.9	28.6	539.7	16	60
18	457.2	635.0	438.1	39.6	139.7	457.2	505.0	533.4	31.8	577.9	16	68.300
	508.0	698.5	488.9		144.5	508.0	558.8			635.0		84.500
20	609.6	812.8	590.5	42.9	152.4	609.6	663.4	584.2	31.8	749.3	20	115.000
24				47.8				692.2	35.1		20	