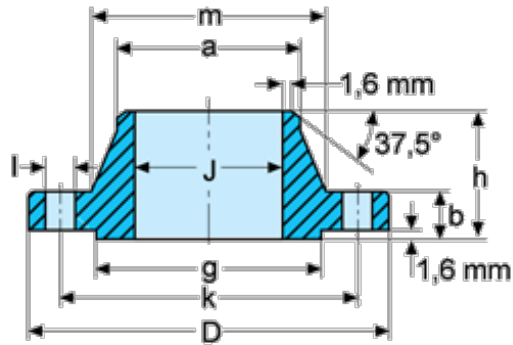


Stainless Steel ASTM A182, ASME B16.5 600lb Welding Neck Flanges



Pipe	Flange	Hub	Raised face	Drilling template	Weight							
Nom. Size	O.D.	D	J	b	h	a	m	g	l	k	No. of holes	kg/pce
in.	mm	mm	mm	mm	mm	mm	mm	mm	mm	mm		
0.5	21.3	95.3	13.8	14.2	52.3	21.3	38.1	35.1	15.7	66.5	4	0.87
0.75	26.7	117.3	18.9	15.7	57.2	26.7	47.8	42.9	19.1	82.6	4	1.45
1	33.4	124	24.3	17.5	62	33.4	53.8	50.8	19.1	88.9	4	1.76
1.25	42.2	133.4	32.7	20.6	66.5	42.2	63.5	63.5	19.1	98.6	4	2.49
1.5	48.3	155.4	38.1	22.4	69.9	48.3	69.9	73.2	22.4	114.3	4	3.49
2	60.3	165.1	49.2	25.4	73.2	60.3	84.1	91.9	19.1	127	8	4.36
2.5	73	190.5	59	28.4	79.2	73	100.1	104.6	22.4	149.4	8	6.43
3	88.9	209.6	73.6	31.8	82.6	88.9	117.3	127	22.4	168.1	8	8.53
4	114.3	273.1	97.2	38.1	101.6	114.3	152.4	157.2	25.4	215.9	8	17.4
6	168.3	355.6	146.4	47.8	117.3	168.3	222.3	215.9	28.4	292.1	12	34.9
8	219.1	419.1	193.8	55.6	133.35	219.2	273.1	269.9	31.7	349.2	12	53.9