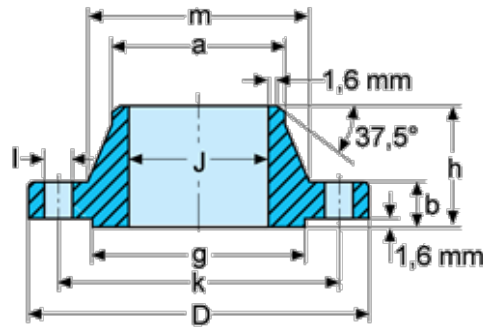


Stainless Steel ASTM A182, ASME B16.5 300lb Welding Neck Flanges



Pipe	Flange		Hub		Raised face	Drilling template		Weight				
Nom. Size	O.D.	D	J	b	h	a	m	g	l	k	No. of holes	kg/pce
in.	mm	mm	mm	mm	mm	mm	mm	mm	mm	mm		
0.5	21.3	95.2	15.7	14.2	52.3	21.3	38.1	35	15.7	66.5	4	0.75
0.75	26.7	117.3	20.8	15.7	57.1	26.7	47.7	42.9	19	82.5	4	1.26
1	33.4	123.9	26.7	17.5	62	33.5	53.8	50.8	19	88.9	4	1.52
1.25	42.2	133.3	35.1	19	65	42.2	63.5	63.5	19	98.5	4	2.03
1.5	48.3	155.4	40.9	20.6	68.3	48.3	69.5	73.1	22.3	114.3	4	2.89
2	60.3	165.1	52.6	22.3	69.8	60.4	84	91.9	19	127	8	3.4
2.5	73	190.5	62.7	25.4	76.2	73.1	100	104.6	22.3	149.3	8	5.17
3	88.9	209.5	78	28.4	79.2	88.9	117.3	127	22.3	168.1	8	6.93
4	114.3	254	102.4	31.7	85.8	114.3	146	157.2	22.3	200.1	8	11.2
5	141.3	279.4	128.3	35.1	98.6	141.3	177.8	185.7	22.4	235	8	15.1
6	168.3	317.5	154.2	36.5	98.5	168.4	206.2	215.9	22.3	269.7	12	19.1
8	219.1	381	202.7	41.1	111.2	219.2	260.3	269.7	25.4	330.2	12	29.9
12	273	444.5	254.5	47.6	117.5	273.1	320.7	323.8	28.6	387.3	16	44.3
14	323.8	520.7	304.8	50.8	130.2	323.9	374.6	381	31,7	450.8	16	64