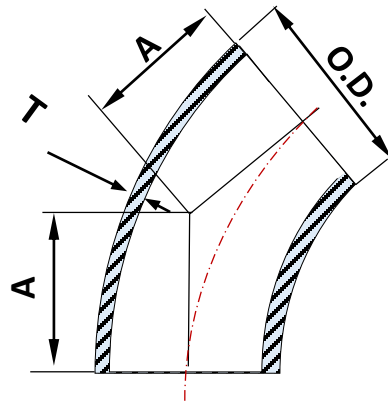
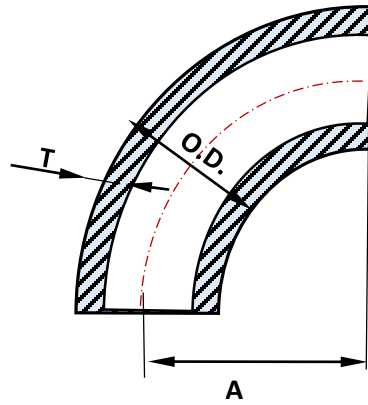


# Butt Weld 45° Long Radius Elbows



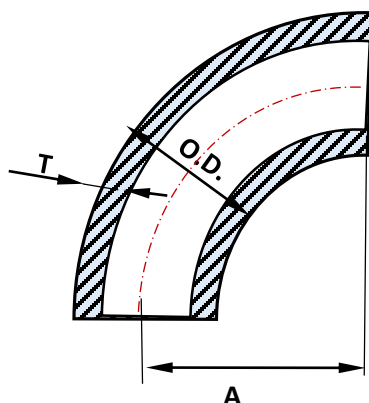
Nominal Pipe Size	Outside Diameter (O.D.)	Centre to face (A)	Schedule 10S		Schedule 40S		Schedule 80S	
			Wall thickness (T)	Approx weight (kg)	Wall thickness (T)	Approx weight (kg)	Wall thickness (T)	Approx weight (kg)
½"	21.34	15.88	2.11	0.03	13.87	0.04	3.73	0.05
¾"	26.67	11.11	2.11	0.03	18.85	0.04	3.91	0.05
1"	33.40	22.23	2.77	0.09	24.31	0.11	4.55	0.14
1¼"	42.16	25.40	2.77	0.11	32.46	0.17	4.85	0.23
1½"	48.26	28.58	2.77	0.17	38.10	0.23	5.08	0.29
2"	60.33	34.93	2.77	0.25	49.25	0.40	5.54	0.52
2½"	73.03	44.45	3.05	0.48	59.00	0.77	7.01	0.99
3"	88.90	50.80	3.05	0.63	73.66	1.08	7.62	1.50
3½"	101.60	57.15	3.05	0.75	85.45	1.42	8.08	2.00
4"	114.30	63.50	3.05	1.08	97.18	2.09	8.56	3.09
5"	141.30	79.38	3.40	1.81	122.25	3.44	9.53	4.79
6"	168.28	95.25	3.40	2.72	146.33	5.44	10.97	8.17
8"	219.08	127.00	3.76	5.33	193.68	10.77	12.70	16.56
10"	273.05	158.75	4.19	9.75	247.65	19.28	12.70	25.85
12"	323.85	190.50	4.57	13.61	298.45	29.71	12.70	39.69
14"	355.60	222.25	4.78	18.14	330.20	35.15	12.70	46.72
16"	406.40	254.00	4.78	23.81	381.00	45.81	12.70	60.78
18"	457.20	285.75	4.78	29.94	431.80	59.42	12.70	79.38
20"	508.00	317.50	5.54	49.90	482.60	74.84	12.70	99.34
24"	609.60	381.00	6.35	70.31	584.20	105.23	12.70	139.71

# Butt Weld 90° Short Radius Elbows



Nominal Pipe Size	Outside Diameter (O.D)	Centre to face (A)	Schedule 10S		Schedule 40S		Schedule 80S	
			Wall thickness (T)	Approx weight (kg)	Wall thickness (T)	Approx weight (kg)	Wall thickness (T)	Approx weight (kg)
1"	33.401	25.00	2.77	0.10	3.38	0.12	4.55	0.17
1½"	42.164	32.00	2.77	0.17	3.56	0.20	4.85	164.65
1½"	48.26	40.00	2.77	0.22	3.68	0.29	5.08	0.40
2"	60.325	50.00	2.77	0.37	3.91	0.51	5.54	0.70
2½"	73.025	65.00	3.05	0.62	5.16	1.02	7.01	1.31
3"	88.9	75.00	3.05	0.98	5.49	1.50	7.62	1.91
3½"	101.6	90.00	3.05	1.38	5.74	2.06	8.08	2.43
4"	114.3	100.00	3.05	1.72	6.02	3.12	8.56	4.11
5"	141.3002	125.00	3.40	2.78	6.55	5.28	9.53	7.30
6"	168.275	150.00	3.40	4.15	7.11	7.94	10.97	11.79
8"	219.075	200.00	3.76	8.00	8.18	17.06	12.70	24.86
10"	273.05	250.00	4.19	15.88	9.27	28.58	12.70	45.27
12"	323.85	300.00	4.57	18.14	9.53	36.29	12.70	56.70
14"	355.6	350.00	4.78	23.59	9.53	45.81	12.70	61.23
16"	406.4	400.00	4.78	30.84	9.53	59.42	12.70	79.38
18"	457.2	450.00	4.78	39.01	9.53	79.38	12.70	103.42
20"	508	500.00	5.54	64.86	9.53	97.52	12.70	129.27
24"	609.6	600.00	6.35	91.63	9.53	136.98	12.70	181.89

## Butt Weld 90° Long Radius Elbows



Nominal Pipe Size	Outside Diameter (O.D)	Centre to face (A)	Schedule 10S		Schedule 40S		Schedule 80S	
			Wall thickness (T)	Approx weight (kg)	Wall thickness (T)	Approx weight (kg)	Wall thickness (T)	Approx weight (kg)
½"	21.34	38.10	1.86	0.06	2.77	0.08	3.73	0.23
¾"	26.67	38.10	2.19	0.15	2.87	0.09	3.91	0.25
1"	33.40	38.10	2.77	0.30	3.38	0.16	4.55	0.48
1¼"	42.16	47.63	2.77	0.50	3.56	0.25	4.85	0.88
1½"	48.26	57.15	2.77	0.69	3.68	0.40	5.08	1.13
2"	60.33	76.20	2.77	1.13	3.91	0.71	5.54	2
2½"	73.03	95.25	3.05	1.88	5.16	1.36	7.01	4
3"	88.90	114.30	3.05	2.69	5.49	2.18	7.62	6.56
3½"	101.60	133.35	3.05	3.75	5.74	2.83	8.08	8.8
4"	114.30	152.40	3.05	4.75	6.02	4.17	8.56	13.63
5"	141.30	190.50	3.40	8.00	6.55	6.86	9.53	21.13
6"	168.28	228.60	3.40	12.00	7.11	10.89	10.97	36
8"	219.08	304.80	3.76	23.50	8.18	21.55	12.70	73
10"	273.05	381.00	4.19	43.00	9.27	38.56	12.70	114
12"	323.85	457.20	4.57	60.00	9.53	59.42	12.70	175
14"	355.60	533.40	4.78	80.00	9.53	70.31	12.70	206
16"	406.40	609.60	4.78	105.00	9.53	91.63	12.70	269
18"	457.20	685.80	4.78	132.00	9.53	122.02	12.70	350
20"	508.00	762.00	5.54	220.00	9.53	149.69	12.70	439
24"	609.60	914.40	6.35	310.00	9.53	210.47	12.70	617