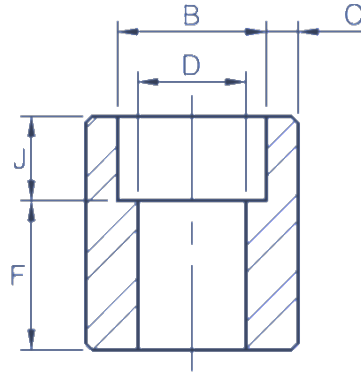


Socket Welding						
Nom. Pipe Size	B	C		D	E	J (Min)
		(Avg)	(Min)			
1/8	10.8	3.18	3.18	6.9	6.5	9.5
1/4	14.2	3.78	3.30	9.3	6.5	9.5
3/8	17.6	4.01	3.50	12.6	6.5	9.5
1/2	21.8	4.67	4.09	15.8	9.5	9.5
3/4	27.2	4.90	4.27	21.0	9.5	12.5
1	33.9	5.69	4.98	26.7	12.5	12.5
1 1/4	42.7	6.07	5.28	35.1	12.5	12.5
1 1/2	48.8	6.35	5.54	40.9	12.5	12.5
2	61.2	6.93	6.04	52.5	19.0	16.0



Socket Welding						
Nom. Pipe Size	B	C		D	F	J (Min)
		(Avg)	(Min)			
1/8	10.8	3.18	3.18	6.9	16.0	9.5
1/4	14.2	3.78	3.30	9.3	16.0	9.5
3/8	17.6	4.01	3.50	12.6	17.5	9.5
1/2	21.8	4.67	4.09	15.8	22.5	9.5
3/4	27.2	4.90	4.27	21.0	24.0	12.5
1	33.9	5.69	4.98	26.7	28.5	12.5
1 1/4	42.7	6.07	5.28	35.1	30.0	12.5
1 1/2	48.8	6.35	5.54	40.9	32.0	12.5
2	61.2	6.93	6.04	52.5	41.0	16.0